



## FT SERIES

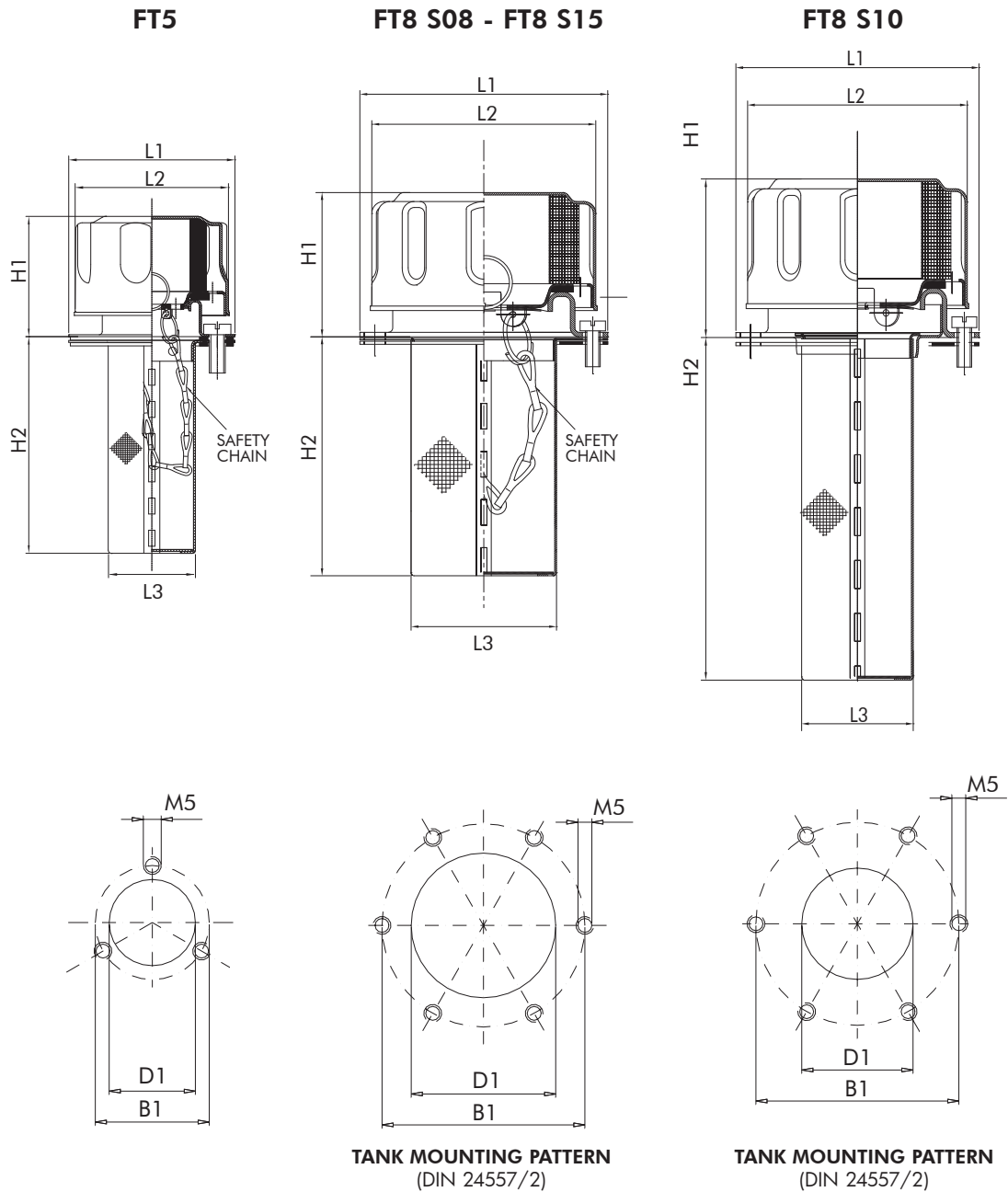
Filler breathers with flange or welding mounting

### TECHNICAL INFORMATION

MATERIALS:	Cover: chrome plated steel Basket: zinc plated steel Flange: zinc plated steel Gaskets: NBR
FILTER MEDIA:	Polyurethane (air filtration 3µm e10 µm)
PRESSURIZATION VALVE:	0,35 or 0,75 bar (for FT8 only)

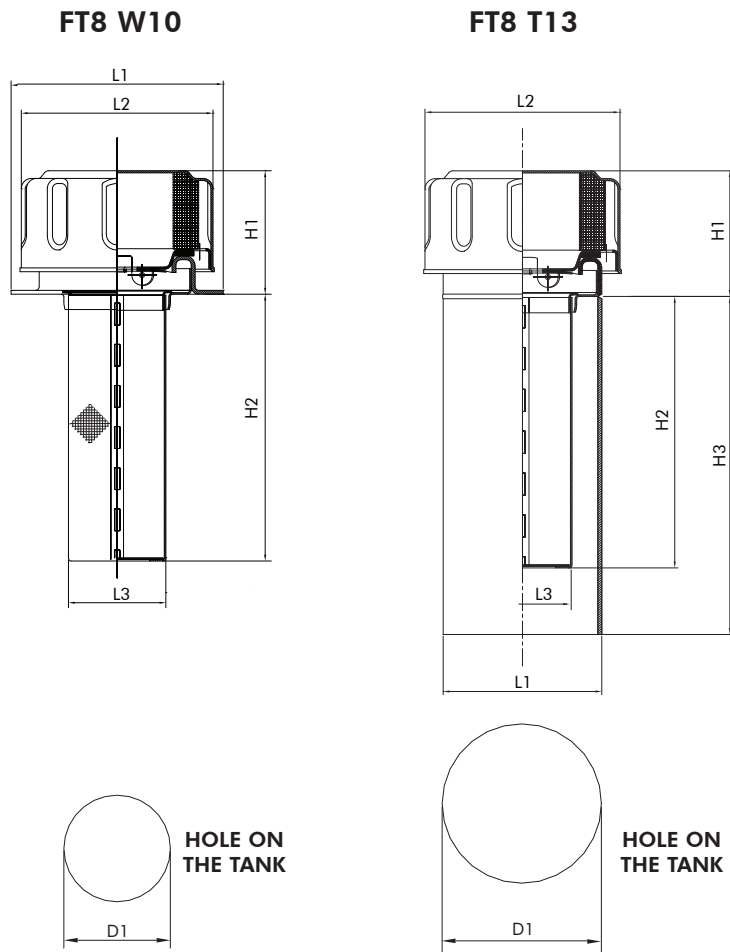
### ORDERING INFORMATION

	1.	2.	3.	4.	5.	6.	7.
	FT	8	F03	B	S08	0	L
1. SERIES	FT						
2. SIZE	5	cover Ø48					
	8	cover Ø75					
3. FILTER MEDIA	F03	polyurethane (air filtration 3 µm)					
	F10	polyurethane (air filtration 10 µm)					
4. GASKETS	B	NBR					
5. MOUNTING TYPE	---	FT5 only					
	S08	flange, basket h = 80 mm					
	S15	flange, basket h = 150 mm					
	S10	flange, removable basket					
	W10	welding flange					
	T13	with antisplash tube					
6. PRESSURIZATION VALVE	0	no valve					
	1	0,35 bar					FT8 ONLY
	2	0,75 bar					FT8 ONLY
7. PADLOCK HOLDER	0	without padlock holder					
	L	with padlock holder					FT8 ONLY

**OVERALL DIMENSIONS**

**NOMINAL SIZE**

CODE	B1	D1	H1	H2	L1	L2	L3	AIR FLOW RATE NI/min Dp 0,015 barg	
								F03	F10
FT5	41	31	37	67	52	48	27,5	200	250
FT8 S8				80					
FT8 S15	71÷73	52	50	150	83	75	50	450	550
FT8 S10		40		105			38		

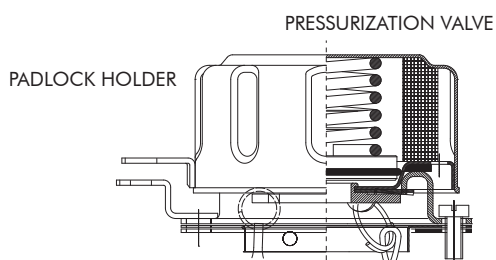
## OVERALL DIMENSIONS



## NOMINAL SIZE

CODE	D1	H1	H2	H3	L1	L2	L3	AIR FLOW RATE NI/min Dp 0,015 barg	
								F03	F10
FT8 W10	40	50	105	---	83	75	38	200	250
FT8 T13	62			130	60			450	550

## OPTIONS



On request, FT7 and FT8 can be supplied with some option:

- PRESSURIZATION VALVE
- PADLOCK HOLDER (FT8 only)