



FB2 SERIES

Air filters and filler breathers, with replaceable filter element

TECHNICAL INFORMATION

MATERIALS:	Housing:	polyamide PA
	Basket:	polyamide PA
	Gaskets:	NBR
FILTER MEDIA:	Cellulose (air filtration 3 μm)	
	Glassfiber (air filtration 1 μm)	

ORDERING INFORMATION

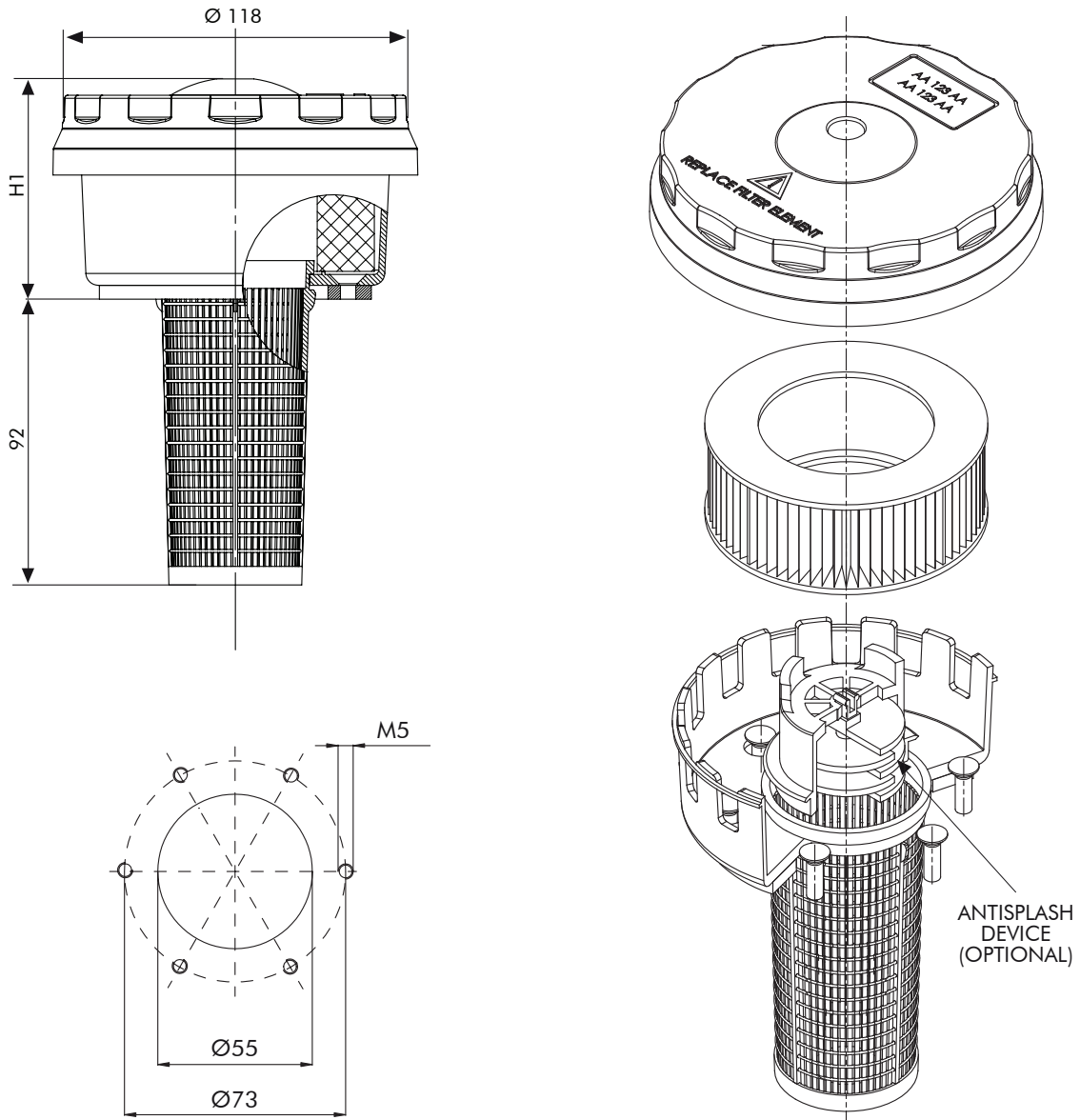
	1.	2.	3.	4.	5.
SPARE ELEMENT:	FB2	50	D2	C10	000
	B2	50	-	C10	-
1. SERIES	FB2				
2. SIZE	50	length 1			
	51	length 2			
3. MOUNTING TYPE	D2	flange, DIN 24557/2			
4. FILTER MEDIA	000	without element			
	C10	cellulose (air filtration 3 μm)			
	G10	glassfiber (air filtration 1 μm)			
5. OPTIONS	000	without options			

ACCESSORIES

The accessories must be ordered separately

SG 505	antisplash device for size 50
SG 515	antisplash device for size 51

OVERALL DIMENSIONS



NOMINAL SIZE

CODE	H1	AIR FLOW RATE NI/min Dp 0,015 barg	
		C10	G10
FB250	46	1200	1400
FB251	74	1600	1800

When the oil tank can be subjected to strong shocks or oscillations, the optional SG device prevents oil splashes from escaping and wetting the filter element, thanks to its labyrinth system.