



FA3 SERIES

Flange mounted with spin-on element

TECHNICAL INFORMATION

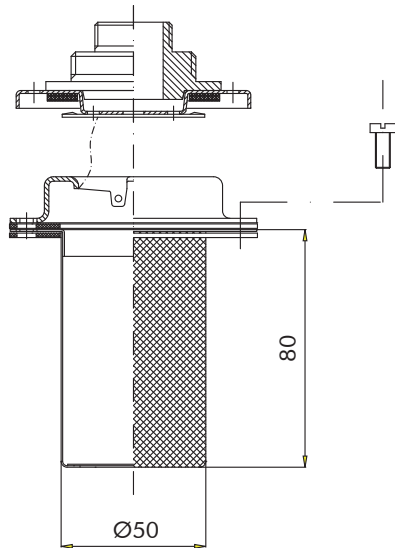
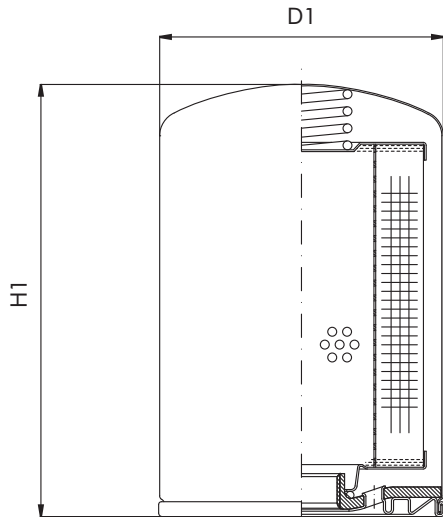
MATERIALS: Canister: painted steel
Flange and basket: zinc plated steel
Gaskets: NBR

FILTER MEDIA: Cellulose (air filtration 3 μm)
Glassfiber (air filtration 1 μm)

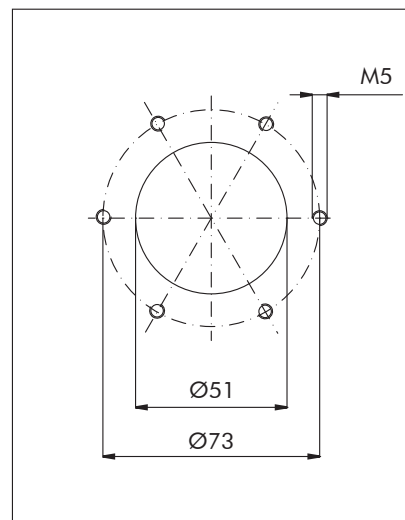
ORDERING INFORMATION

	1.	2.	3.
SPARE ELEMENT:	FA3 A3	20 20	C03 C03
1. SERIES	FA3		
2. SIZE	WE	base assembly, without spin-on	
	10-11		
	20-21		
3. FILTER MEDIA	---	for WE only	
	C03	cellulose (air filtr. 3 μm)	
	G01	glassfiber (air filtr. 1 μm)	

OVERALL DIMENSIONS



TANK MOUNTING PATTERN (DIN 24557/2)



NOMINAL SIZE

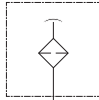
CODE	D1	H1	AIR FLOW RATE l/min Dp 0,015 barg		SPIN-ON ELEMENT
			C03	G01	
FA310	96	145	550	530	A310
FA311		213			A311
FA320	129	180	1415	1330	A320
FA321		228			A321

USER INFORMATION

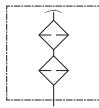
The air breather filters are integral part of the filtration within the hydraulic system, as they retain the environment contamination that could enter into the reservoir with the air sucked due to the oil level fluctuations during the system operation.

Our wide range of air filter and filler breathers offers the suitable solution to various requirements.

HYDRAULIC SYMBOL:
FB1 / FT6 / FT7



HYDRAULIC SYMBOL:
FT5 / FT8 / FB2 / FA3



OPERATING TEMPERATURE RANGE: -25° + 100°C (-13°F +212°F)
FT / FB1 / FA3 / FB2

FLUID COMPATIBILITY:
FT / FB1 / FA3 / FB2 Full with HH-HL-HM-HV (acc. To ISO 2943).
For use with other fluid please contact Filtrec Customer Service
(info@filtrec.it).
